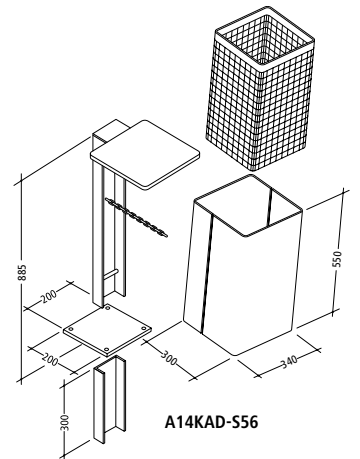


NICsmart A14KAD-S56



A14KAD-S56



A14KAD-S56

Trash bin

NICsmart Series A14KAD



Combination of trash bin A14K and ashtray KAD integrated in roof. Trash bin for embedding in concrete or wall mounting, trash bin square, volume approx. 56 l, cross-section 300 x 340 mm, bin height 550 mm, height grade approx. 885 mm, rectangular roof made of sheetmetal, bin secured with lock in U profile brace; installed height min. 230 mm up to lower bin edge.

Technical description:

Sheetmetal hot-dip galvanized. Crimped bin edges. Secured with 7 mm triangle lock. Secured against unauthorized bin removal and household trash deposits. Ashtray in wire basket insert.

Function

Trash bin: Disposal in seconds: Disengage triangle lock – bin tilts forward. Remove and empty bin or insert (see option).
 Push bin into lock – done!
 Ashtray: ash drops into bin insert thereunder. Ashtray is then emptied together with trash bin.

Order No.	Version	Weight
A14KAD-S56	PROFInorm 56 l, reduced receptacle opening size, brace long, ashtray in roof BP1 floor plate 200 x 200 mm welded	27 kg
A14KAD-W56	PROFInorm 56 l, reduced receptacle opening size, wall mounting bracket, ashtray in roof	25 kg

Version	56 liters
Mast adapter + steel strap, 2 pcs. Painted in RAU/DB ...	MK1
Wire basket insert, rectangular	A14-S/W56R
	DKE56